

# PILOT SERIES - GUARD LIGHTS

## BL-10 PILOT

### Guard light element (blue)

Pilot Series was created to satisfy the needs of illuminating spaces where people must displace without having a lot of light.

For this reason, it is a device to be used as service lighting in theatres or show rooms.

Use of leds makes this product highly energy-

efficient.

10 high bright blue leds are included and it can be supplied directly to 230V 50Hz.

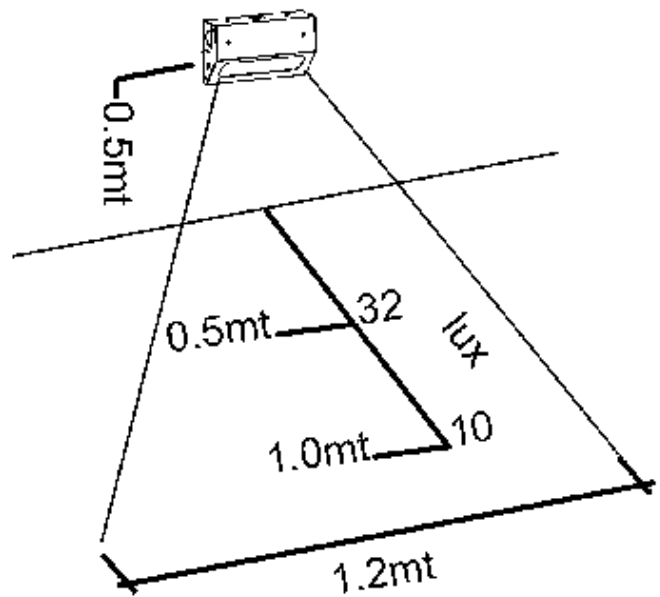
Holes for PG11 are drilled on the rear side to hang on a wall.



Reference: 26000070

Weight	0.3 Kg.
Dimensions	80x130x45 mm
Exterior finish	Black colour
Power supply	Single-phase 230V 50Hz
No. of leds	10
Colour of leds	Blue

Photometric characteristics:



Address

C/ Potosí 40 08030 Barcelona Spain  
 Tel. (0034) 93 360 02 30 Fax. (0034) 93 274 47 47 Email: strong@strong.es